

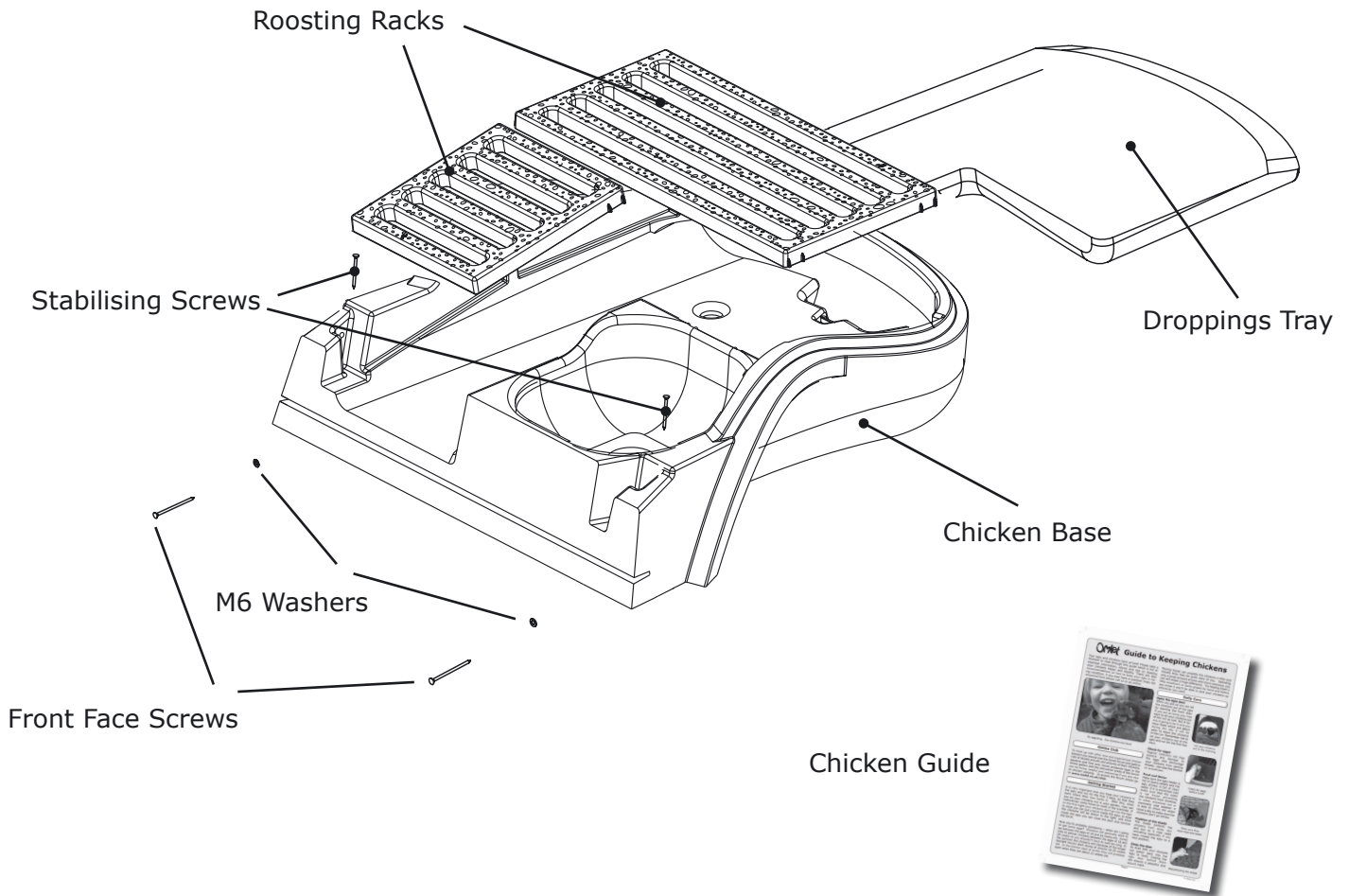


Omlet Limited  
Tuthill Park  
Wardington  
Oxon OX17 1RR

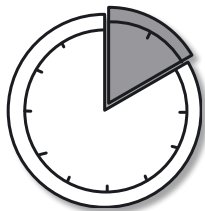
[www.omlet.co.uk](http://www.omlet.co.uk)  
[info@omlet.co.uk](mailto:info@omlet.co.uk)  
Helpdesk: 0845 450 20 56

# Rabbit to Chicken Eglu Conversion Kit

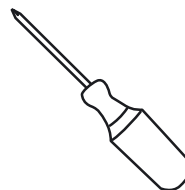
## What you have received



## Other things you will need



Around 20 minutes



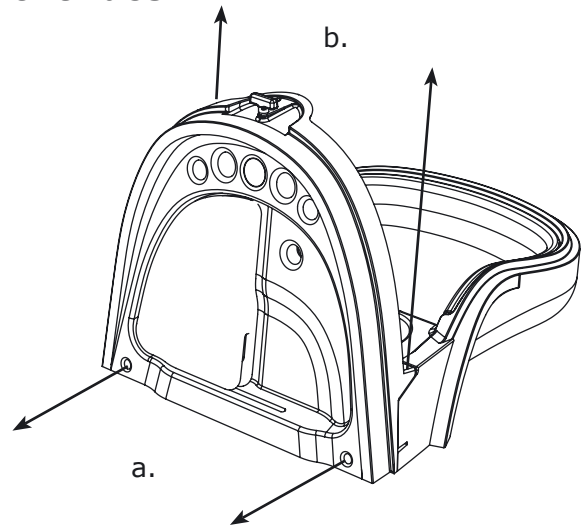
A Phillips Screwdriver

**NOTE:** Please take care when tightening and untightening the screws. Be careful not to damage the head of the screw. TIP - Press hard when screwing and unscrewing.

### Step 1 - Remove Screws And Washers From Front Face

a. Remove the two screws and washers in the front of the front face.

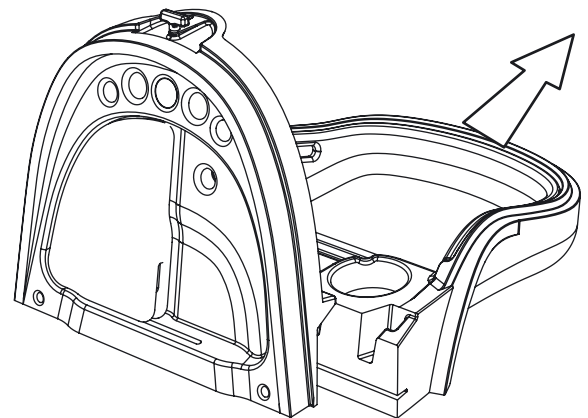
b. Remove the two screws holding the front face to the base.



### Step 2 - Exchange Rabbit Base for Chicken Base

Remove the Rabbit Base. At this point the locking bar will fall free.

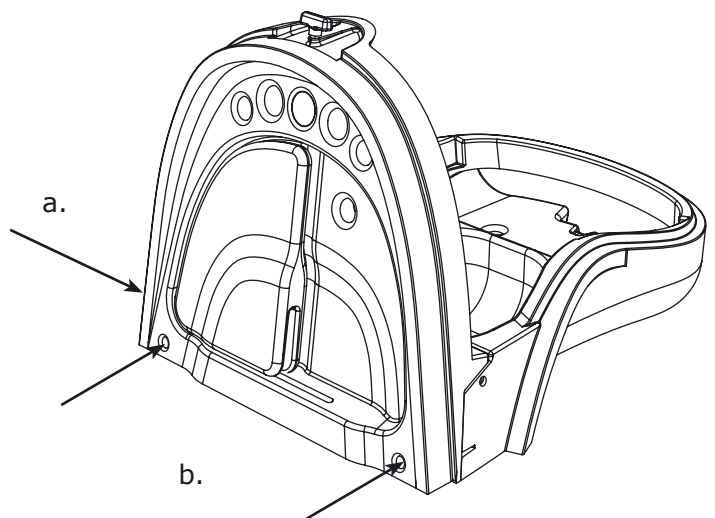
Slot the Chicken Base onto the Front Face.



### Step 3 - Insert Locking Bar And Do Up Front Screws

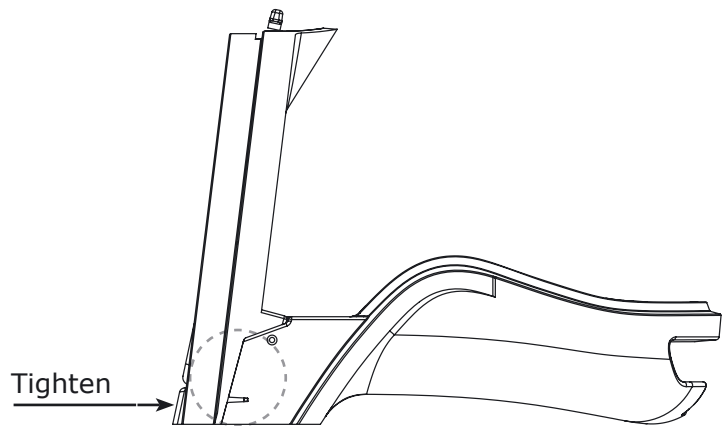
a. Slide the locking bar through the slot.

b. Replace the two screws and washers in the front of the front face.



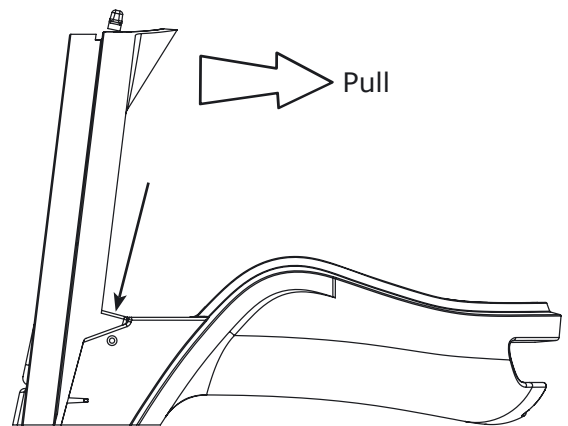
#### Step 4 - Tighten Front Face Screws

Tighten the screws until the faces in the circle butt up against each other.



#### Step 5 - Replace Screws Holding Front Face to Base

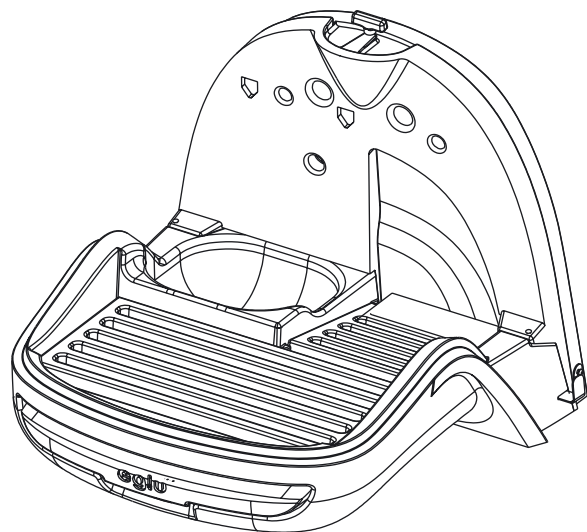
Pull back on the front face while replacing the two screws. Stop turning the screws as soon as they become tight so as not to damage the thread.



#### Step 6 - Roost Racks And Droppings Tray

Insert the two roost racks and the dropping tray. Make sure that the clip on the underside of the tray 'clicks' into place everytime you put the tray in.

Your chickens are now ready to move in!



If you have any problems converting your eglu call us on  
**0845 450 20 56** or email **info@omlet.co.uk**